

Princes Gate

47





## Princes Gate

A magnificent Beux-Arts town house in  
the heart of South Kensington





---

A magnificent freehold residence situated in a prime location close to Hyde Park and the surrounding areas of South Kensington and Chelsea. Having undergone a comprehensive program of renovation, this fine period house is presented in immaculate condition throughout.

---

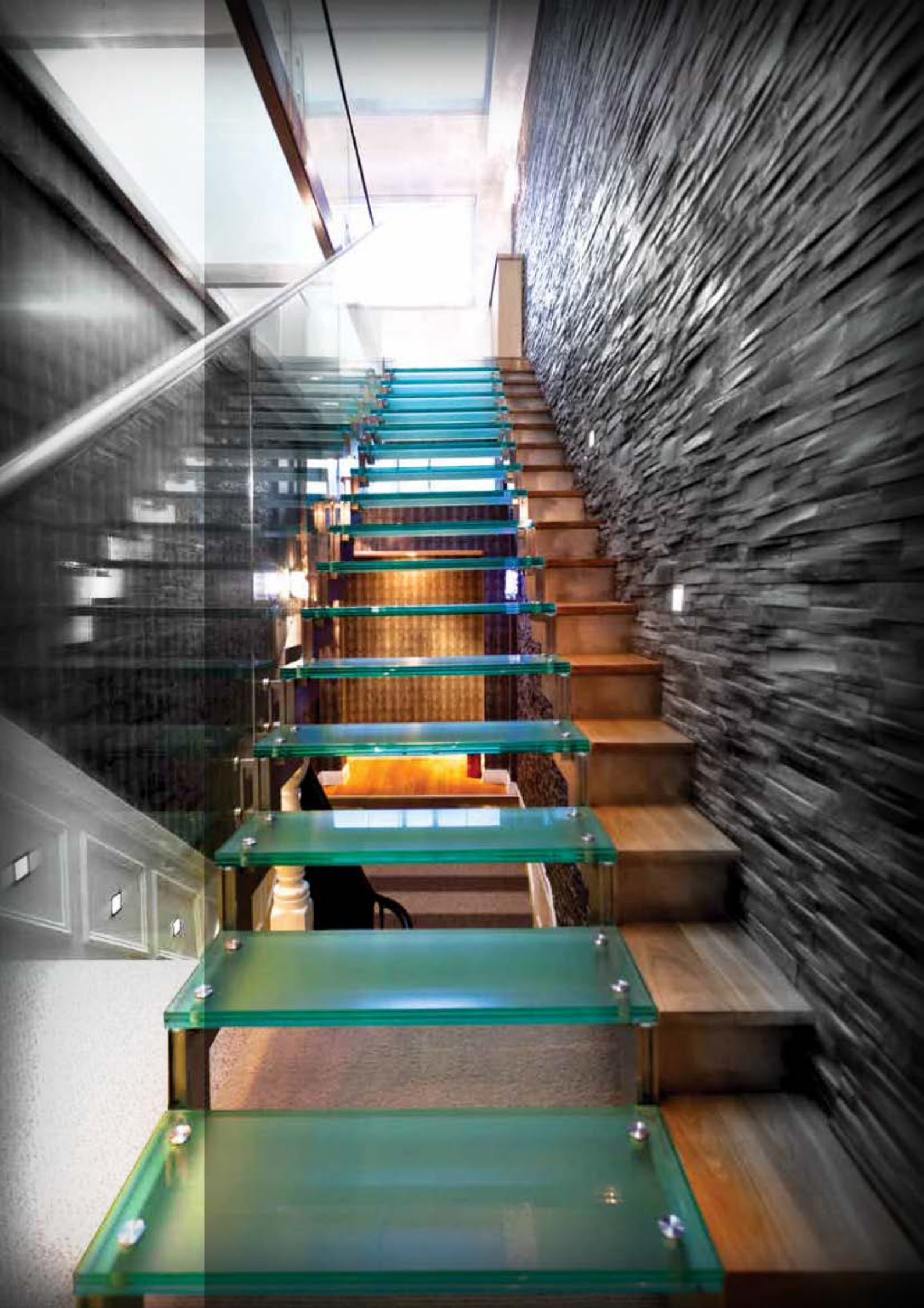
The property has a feeling of space and elegance from the moment you enter the grand entrance hall. The lower ground floor has been designed with informal reception and dining space in mind, while the ground floor has a large double reception room with a dedicated meeting room or formal dining room.

The first floor is almost entirely dedicated to an exquisite reception room with stunning ceiling heights and incredible views towards Prince Consort Road and the Royal Albert Hall. This floor also houses the beautiful, large study.

The sumptuous master suite occupies the entire second floor with a further five bedroom suites occupying the upper floors.

The top floor features a further reception/self contained studio and access to a beautiful roof terrace with far reaching views across London.



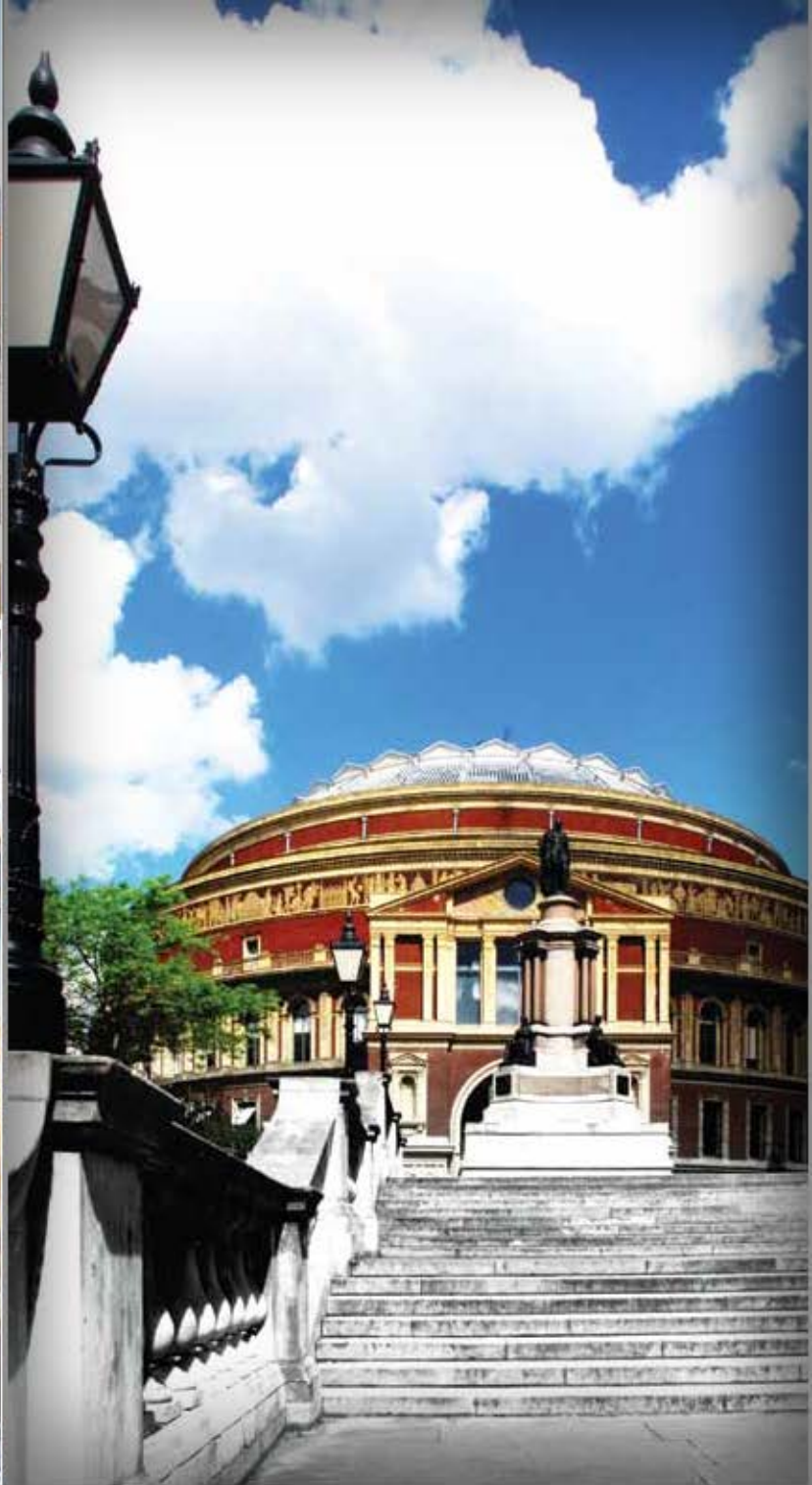




## Specification

- The entire apartment is lit using the latest LED lighting (reducing energy consumption by 80%)
- Bang & Olufsen Audio/Visual
- Bang & Olufsen LED TV'S and audio system through
- In-ceiling speakers
- Apple TV & Apple Airport Extreme wireless system
- All AV products & lights can be controlled by iPad
- 5i Surround sound
- Bang & Olufsen masterlink gateway system installed
- Wall mounted iPad by garage entrance for home
- Bespoke furniture available (by separate negotiation)
- Air-conditioning
- Bespoke carpentry throughout









---

From Royal Parks to Michelin star restaurants and world-class shopping - everything is on your doorstep....

---

Princes Gate is a terrace of white stucco fronted period properties built around the time of the Great Exhibition. It runs north from Hyde Park to the very heart of South Kensington, taking in sights such as the Natural History Museum and the Victoria & Albert Museum. The proximity to Knightsbridge ensures easy access to the international boutiques that this area is world renowned for.



---

Every room is an example of un-parelled luxury and stunning contemporary design. A prefect environment to entertain or relax in.

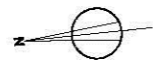
---









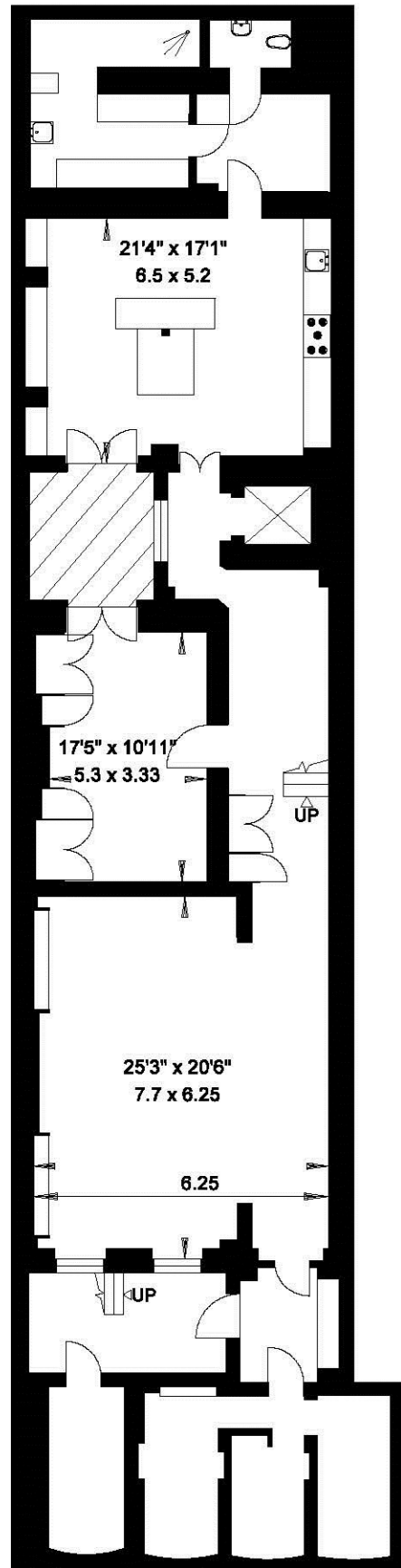


**47 PRINCES GATE  
LONDON SW7 2QA**

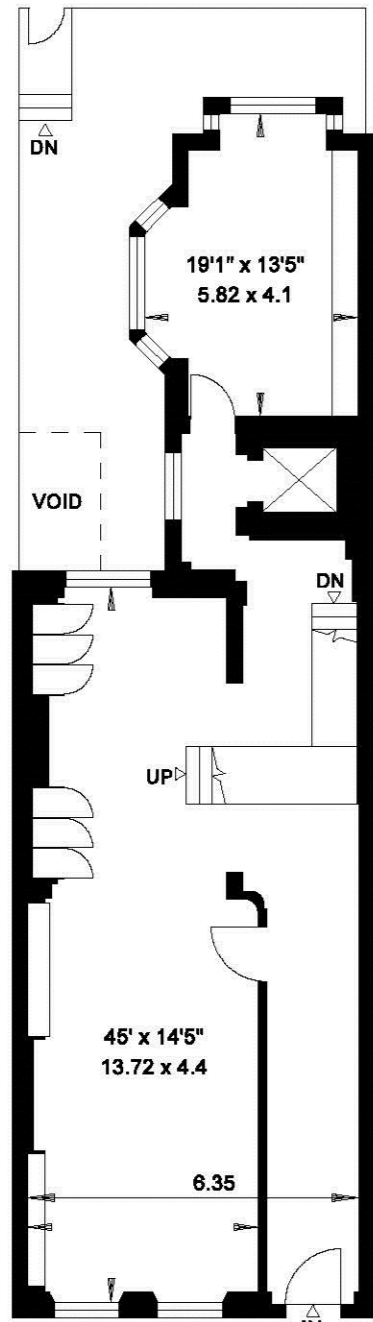
Gross Internal Area = 977 Sq. Metres  
9430 Sq. Feet

(Excluding Walled Terrace Level)

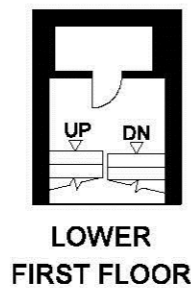
Walled Terrace Level = 46 Sq. Metres  
497 Sq. Feet



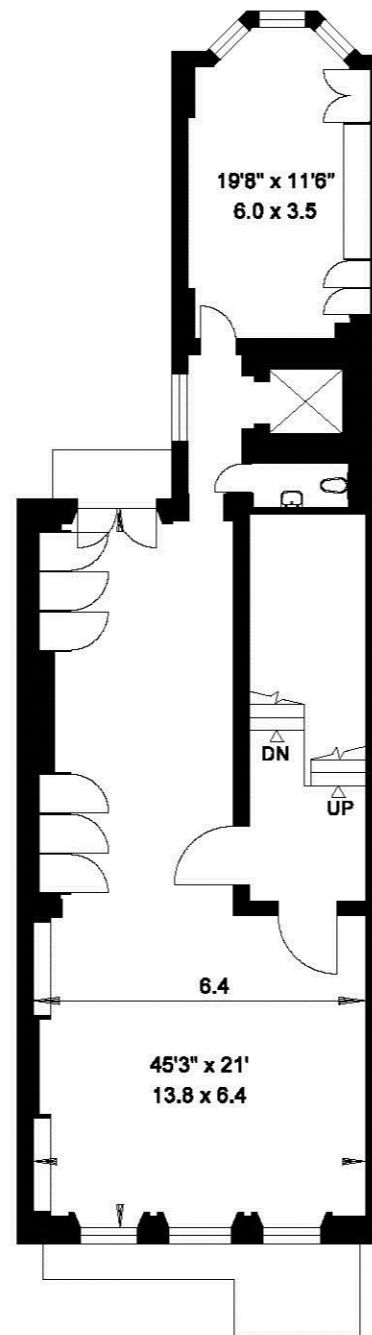
LOWER GROUND FLOOR



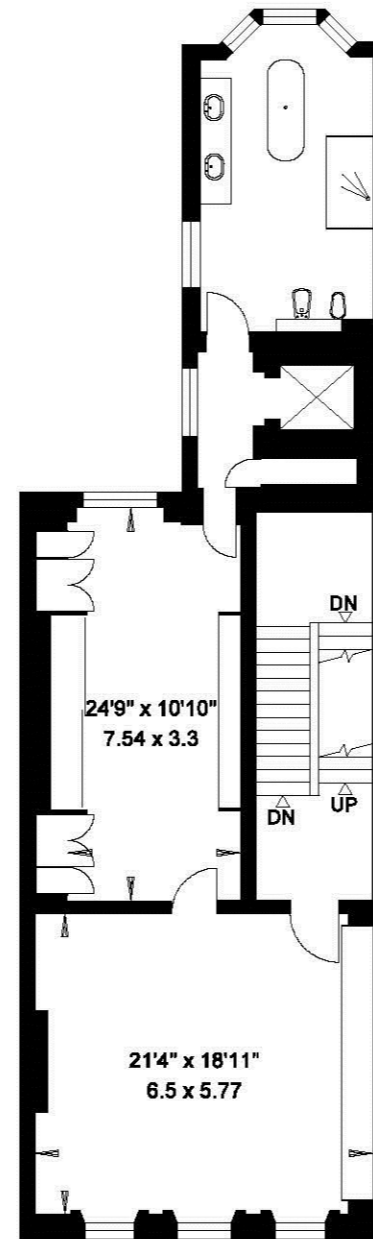
GROUND FLOOR



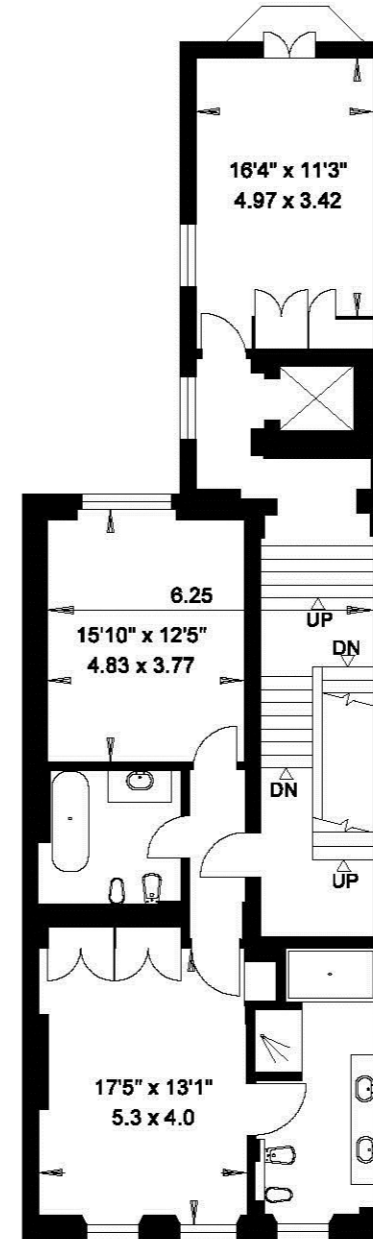
LOWER  
FIRST FLOOR



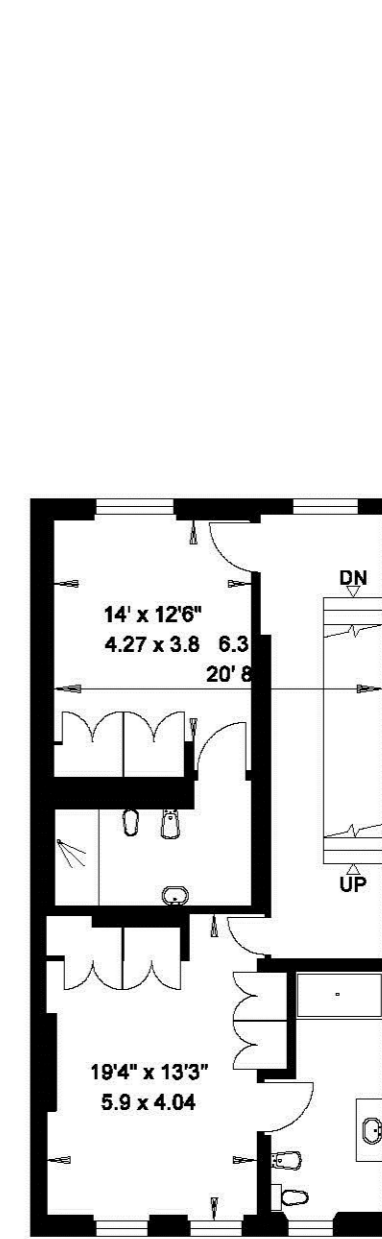
FIRST FLOOR



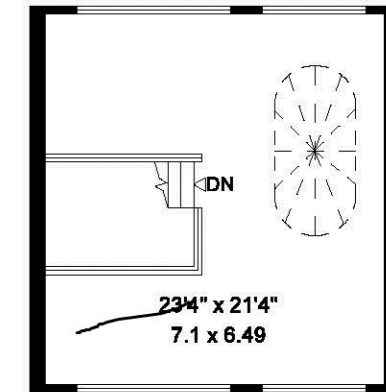
SECOND FLOOR



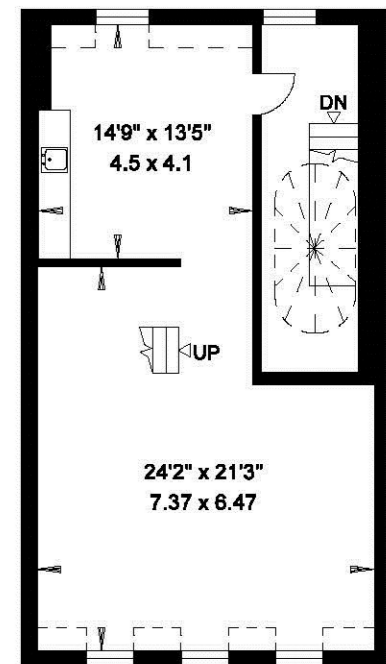
THIRD FLOOR



FOURTH FLOOR



WALLED ROOF TERRACE



FIFTH FLOOR